

WAVE-090



SG NDT WAVE probes are specially designed to perform handheld inspections of carbon steel and stainless-steel welds that have a rough surface finish. The probe is equipped with dynamic lift-off technology, which makes it ideal for inspecting painted or coated welds without having to remove and reinstate the coating. The probe's memory stores calibration data, making it easy to use and access when needed.

WAVE-090

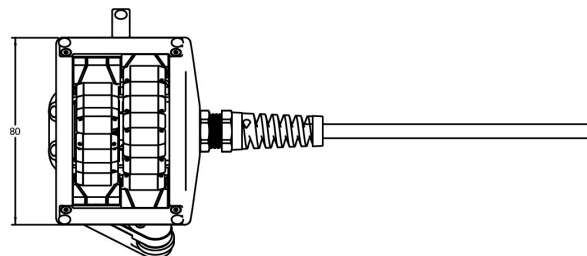
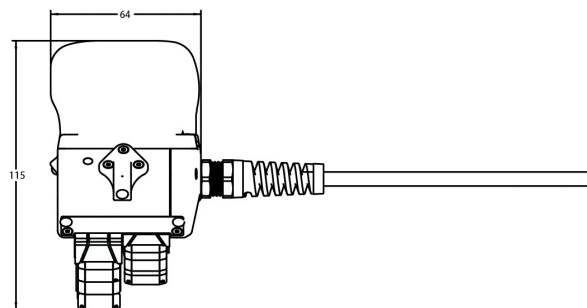
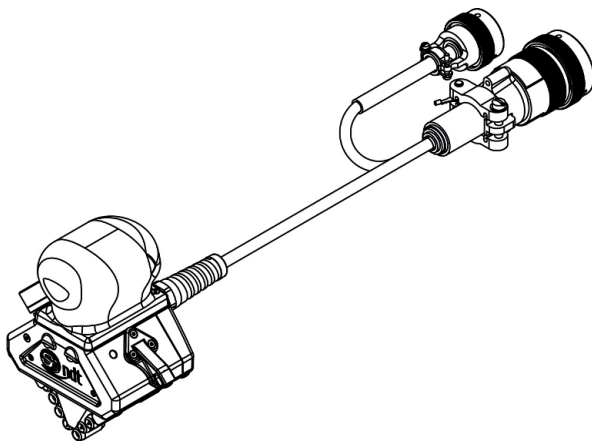
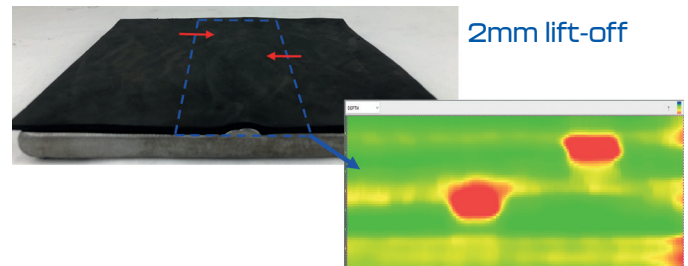
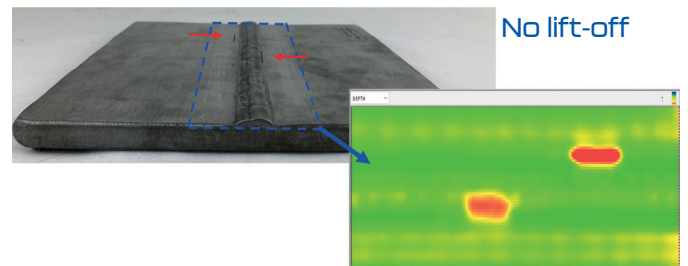
Weld Types	Butt Welds & 90° Fillet Welds
Frequency Range	50kHz Fixed
Coil Quantity	2-Rows of 8 (16 Total)
Probe Coverage	56mm
Topology	Tangential Coils
Channels	16 Depth Channels 16 Length Channels (32 total)
Resolution	3.75mm
Typical Detectable Defect	> 3mm
Cable Length	3m Standard
Maximum Lift-Off	4mm
Encoder	40 counts/mm



WAVE-090

Dynamic lift-off compensation

Dynamic lift-off compensation eliminates the need for complex calibration, ensuring that crack/defect signals are unaffected by lift-off variations such as paint thickness and surface condition. The Dynamic lift-off works by continuously measuring the physical lift-off of each coil, this measurement is then used to apply an automatic compensation for the lift-off parameters, ensuring that defect signal amplitude is correct regardless of the lift-off. This compensation ensures that defect indications can be measured accurately and repeatably.



Through innovation,
we surpass standard expectations

visit us online at: sgndt.com

