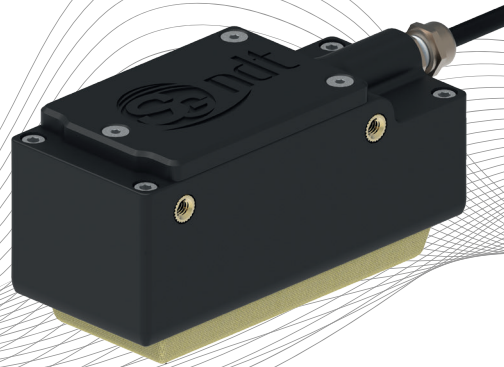
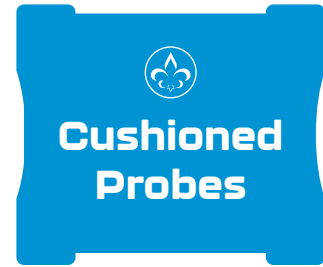


# PAD-P-036-XR



The SG NDT Cushion probes are an excellent choice for inspectors seeking both comfort and technical performance. They are specifically designed for inspecting smooth surfaces, clean welds, pipes, or semi-flat to flat structures with or without an encoder. These probes are ideal for inspecting surfaces with low-radius curves tXRough to flat surfaces. They are durable, easy to manage, and have been designed with the inspector in mind.

The PAD-P-036-XR probe is an extra high-resolution inspection probe with a wear-resistant Kevlar cushioned face that can conform to gentle geometry changes. These probes have been field-proven as an excellent choice for a range of inspection requirements.

The cushioned probe can be customized to meet specific requirements upon request, making it the ultimate tool for surface Eddy Current Array examination.

## PAD-P-036-XR

Technology	PCB Coils
Frequency Range	500kHz – 5MHz
Coil OD	2.35mm
Coil Quantity	2-Rows of 32 Intertwined Coils (total 64)
Probe Coverage	36mm
Topology	Short Single Driver
Channels	31 Axial, 31 Transverses (total 62)
Resolution	1.18mm Axial, 1.18mm Transverse
Curve Radius	> 50mm
Typical Detectable Defect	> 0.4mm
Cable Length	3m Standard
Maximum Lift-Off	0.5mm

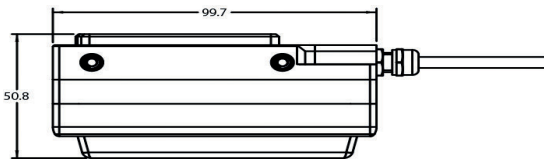
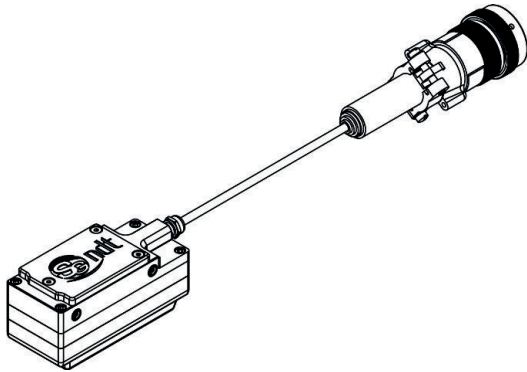
# PAD-P-036-XR

## Interchangeability

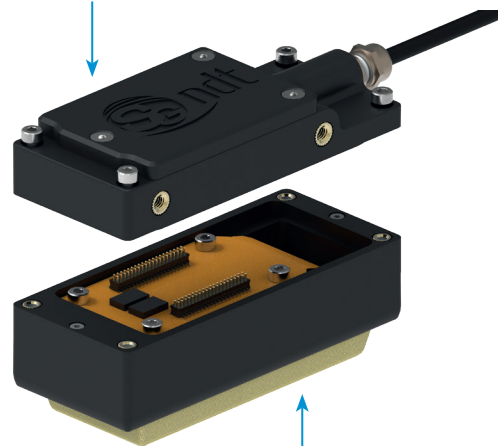
The cushioned array is easily detached from the cable and multiplexer (MUX) assembly and replaced using a single tool. This means that the array can be quickly and easily replaced by other similar arrays with a different coverage, resolution or topology.

Complete P/N :  
**PAD - P - 036 - XR**

Padded ECA probe  
Printed coils  
54 mm coverage  
Extra high resolution probe



Cable P/N : **CBL5-ECA-03M**



Array P/N : **SPAD-P-036-XR**

**Through innovation,**  
we surpass standard expectations

visit us online at: [sgndt.com](http://sgndt.com)

