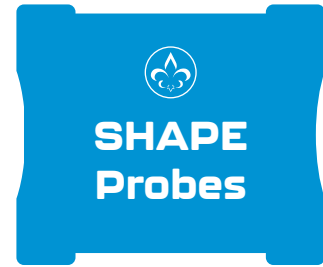


SHAPE2-P-036-XR



SG NDT SHAPE probes are an ideal solution for examining surfaces with varying curvatures and geometries. They can be held in the hand or in a small probe holder, making them a versatile tool for initial testing and proof of concept verification before transitioning to a rigid probe with a fixed geometry.

The new SHAPE2 series probes come with the new rugged connector and cable ensuring performance and endurance for harsh environments and difficult to access inspections.

The SHAPE2-P-036-XR probe is an extra-high resolution inspection probe with a rubber backing that ensures durability while minimizing the impact on flexibility. These probes have been field-proven as an excellent probe choice for difficult inspections or detecting small defects.

The SHAPE probes can be customized to meet specific requirements, making it the ultimate tool for surface Eddy Current Array examination.

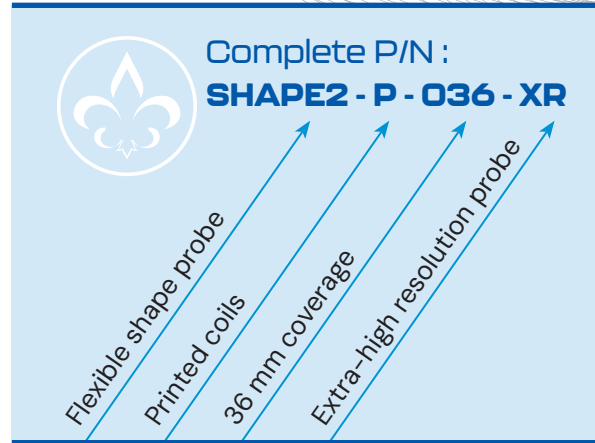
SHAPE2-P-036-XR

| | |
|-----------------------------|---|
| Technology | Printed coils |
| Frequency Range | 500KHz – 5MHz |
| Coil quantity | 2 Rows of 32 Intertwined Coils (total 64) |
| Coil OD | 2.35mm |
| Topology | Short Single Driver |
| Channels | 31 Axial, 31 Transverses (total 62) |
| Probe Coverage | 36mm |
| Curve radius | 20mm |
| Resolution | 0.4mm |
| Minimum sizeable indication | 1.18mm Axial, 1.18mm Transverse |
| Maximum Lift-Off | 0.5mm |
| Cable length | 3m (standard) |

SHAPE2-P-036-XR

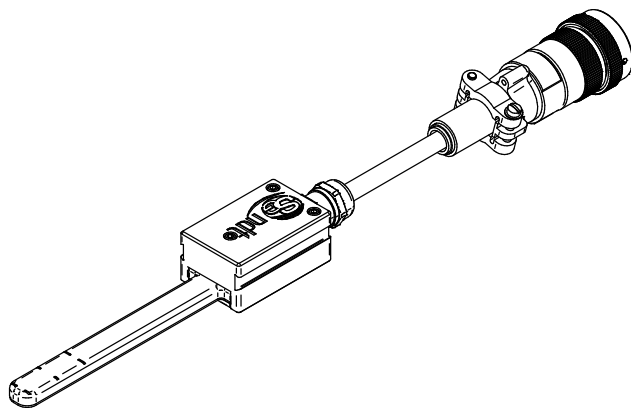
Interchangeability

The flexible array is easily detached from the cable and multiplexer (MUX) assembly and replaced using a single tool. This means that the array can be quickly and easily replaced by other similar arrays with a different coverage, resolution or topology.

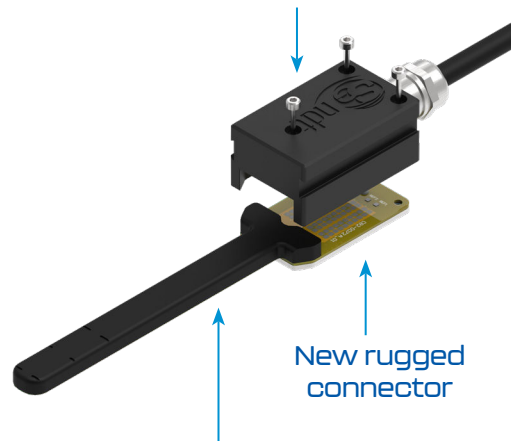


Complete P/N : **SHAPE2 - P - 036 - XR**

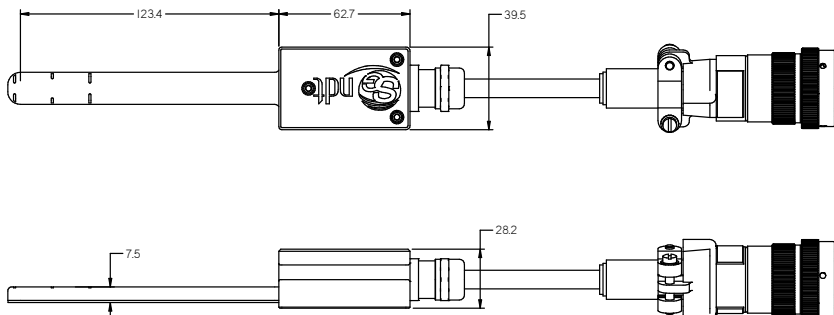
- Flexible shape probe
- Printed coils
- 36 mm coverage
- Extra-high resolution probe



Cable P/N : **CBL5-ECA2-03M**



Array P/N : **SFLX2-P-036-XR**



Through innovation,
we surpass standard expectations

visit us online at: ekoscan-ndt.com

