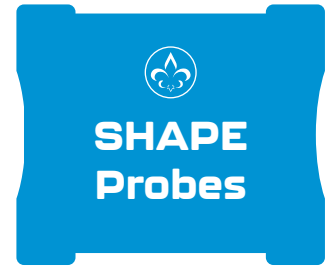


SHAPE2-P-054-HR



SG NDT SHAPE probes are an ideal solution for examining surfaces with varying curvatures and geometries. They can be held in the hand or in a small probe holder, making them a versatile tool for initial testing and proof of concept verification before transitioning to a rigid probe with a fixed geometry.

The new SHAPE2 series probes come with the new rugged connector and cable ensuring performance and endurance for harsh environments and difficult to access inspections.

The SHAPE2-P-054-HR probe is a high-resolution probe with a rubber backing that ensures durability while minimizing the impact on flexibility. These probes have been field-proven as an excellent probe choice for difficult inspections with geometric challenges.

The SHAPE probes can be customized to meet specific requirements, making it the ultimate tool for surface Eddy Current Array examination.

SHAPE2-P-054-HR

Technology	Printed coils
Frequency Range	100kHz – 2MHz
Coil quantity	2 Rows of 32 intertwined coils (total 64)
Coil OD	3.5mm
Topology	Short Single Driver
Channels	31 Axial, 31 Transverses (total 62)
Probe Coverage	54mm
Curve radius	50mm
Resolution	0.5mm
Minimum sizeable indication	1.75mm Axial, 1.75mm Transverse
Maximum Lift-Off	1.25mm
Cable length	3m (standard)

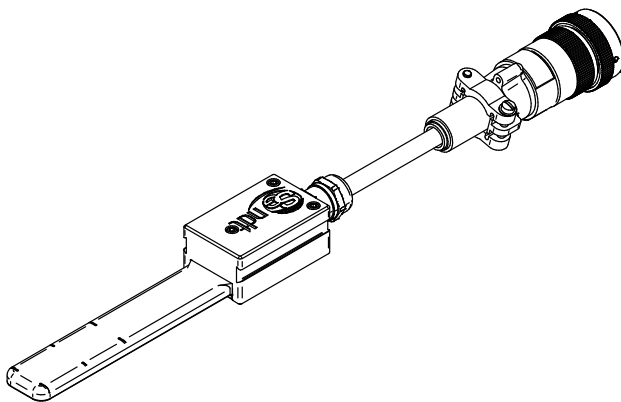
SHAPE2-P-054-HR

Interchangeability

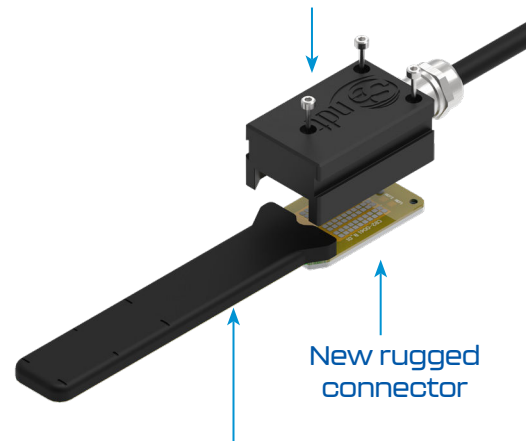
The flexible array is easily detached from the cable and multiplexer (MUX) assembly and replaced using a single tool. This means that the array can be quickly and easily replaced by other similar arrays with a different coverage, resolution or topology.

Complete P/N : **SHAPE2 - P - 054 - HR**

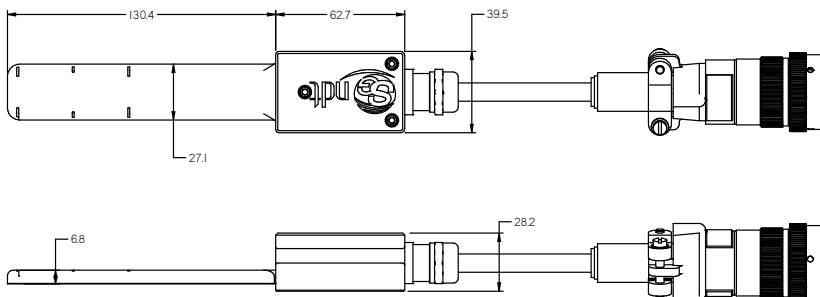
- Flexible shape probe
- Printed coils
- 54-mm coverage
- High-resolution probe



Cable P/N : **CBL5-ECA2-03M**



Array P/N : **SFLX2-P-054-HR**



Through innovation,
we surpass standard expectations

visit us online at: ekoscan-ndt.com

