



SHAPE2-C-075-LR



EKOSCAN SHAPE probes deliver the ideal balance of flexibility and technical performance on surfaces with varying curvatures and geometries. Handheld or mounted in a compact probe holder, they are the versatile tool of choice for initial trials and proof-of-concept work before transitioning to a fixed-geometry rigid probe.

The new SHAPE2 series introduces a rugged connector and cable, field-tested to withstand harsh environments and difficult-to-access inspections.

The SHAPE2-C-075-LR is a mid-to-low resolution probe offering increased surface coverage and sub-surface inspection capability through its wound coils. Its rubber backing combines durability with flexibility to follow complex geometries where access is a primary challenge.

SHAPE probes can be tailored to application specific requirements, making them the ultimate tool for surface Eddy Current Array inspection.

SHAPE2-C-075-LR

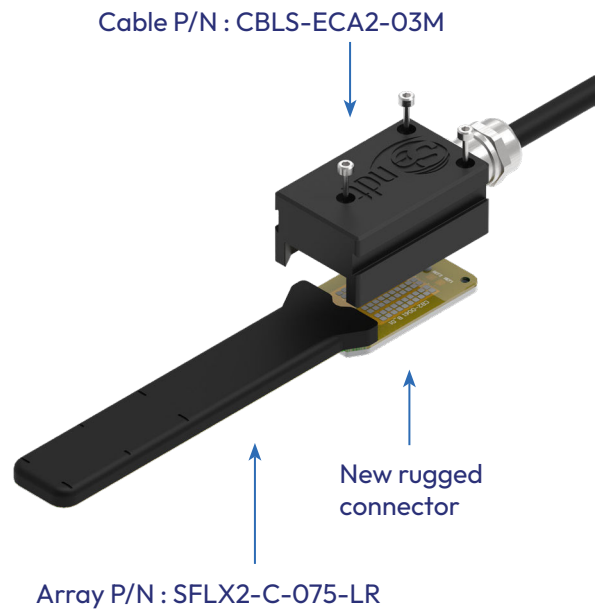
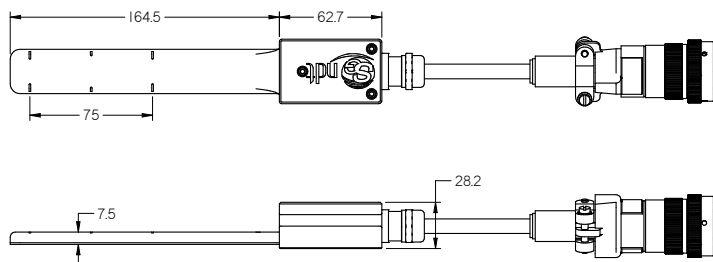
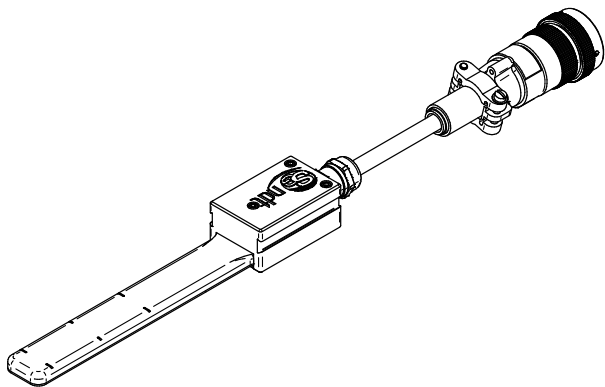
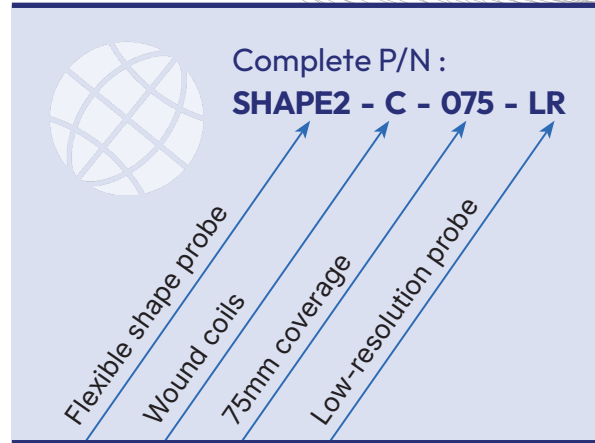
Technology	Wound Coils
Frequency Range	5kHz – 500kHz
Coil Quantity	2 rows of 16 (total 32)
Coil OD	3.5mm
Topology	Long Single Driver
Channels	31 Axial, 15 Transverses (total 46)
Probe Coverage	75mm
Curve Radius	>30mm
Resolution	1.0mm
Minimum Sizeable Indication	3.0mm Axial, 5.0mm Transverse
Maximum Lift-Off	2.0mm
Cable Length	3m



SHAPE2-C-075-LR

Interchangeability

The flexible array is easily detached from the cable and multiplexer (MUX) assembly. This means that the arrays can be quickly and easily replaced by other patterns with a different coverage, resolution or topology.



Advancing diagnostic solutions
Powering industrial inspections

ekoscan-ndt.com

