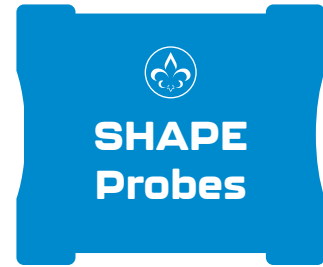


# SHAPE2-C-075-LR



**SG NDT SHAPE probes** are an ideal solution for examining surfaces with varying curvatures and geometries. They can be handheld or mounted in a probe holder or scanner, making them a versatile tool for field testing or an economical choice for proof of concept before transitioning to a rigid probe with a complex and fixed geometry.

The new **SHAPE2 series probes** come with the new rugged connector and cable ensuring performance and endurance for harsh environments and difficult to access inspections.

**SHAPE2-C-075-LR** is a mid-to-low resolution probe and increased surface coverage with sub-surface capabilities thanks to its wound coils. It comes with a silicone backing that ensures durability while minimizing the impact on flexibility.

All SHAPE probes are customizable to meet specific requirements, making it the ultimate tool for high performance Eddy Current Array examination.

## SHAPE2-C-075-LR

Technology	Wound coils
Frequency Range	5kHz – 500kHz
Coil OD	3.5mm
Coil Quantity	2 rows of 16 Coils (total 32)
Probe Coverage	75mm
Topology	Long Single Driver
Channels	31 Axial, 15 Transverses (total 46)
Curve Radius	> 30mm
Resolution	3mm Axial, 5mm Transverse
Typical Detectable Defect Length	> 1.0mm
Maximum Lift-Off	2.0mm
Cable Length	3m Standard

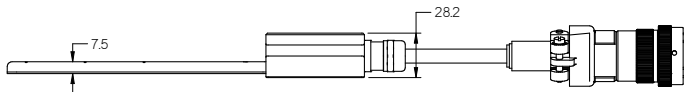
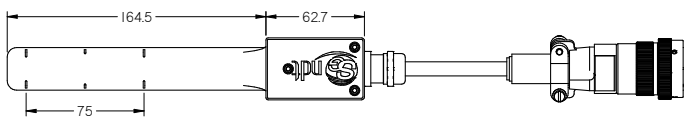
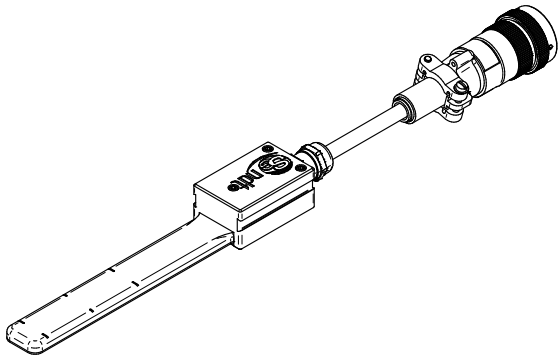
# SHAPE2-C-075-LR

## Interchangeability

The flexible array is easily detached from the cable and multiplexer (MUX) assembly. This means that the arrays can be quickly and easily replaced by other patterns with a different coverage, resolution or topology.

Complete P/N :  
**SHAPE2 - C - 075 - LR**

- Flexible shape probe
- Wound wires
- 75 mm coverage
- Low resolution probe



Cable P/N : **CBL5-ECA2-03M**



New rugged connector

Array P/N : **SFLX2-C-075-LR**

**Through innovation,**  
we surpass standard expectations

visit us online at: [ekoscan-ndt.com](http://ekoscan-ndt.com)

